

BURNERS



ALL THERM

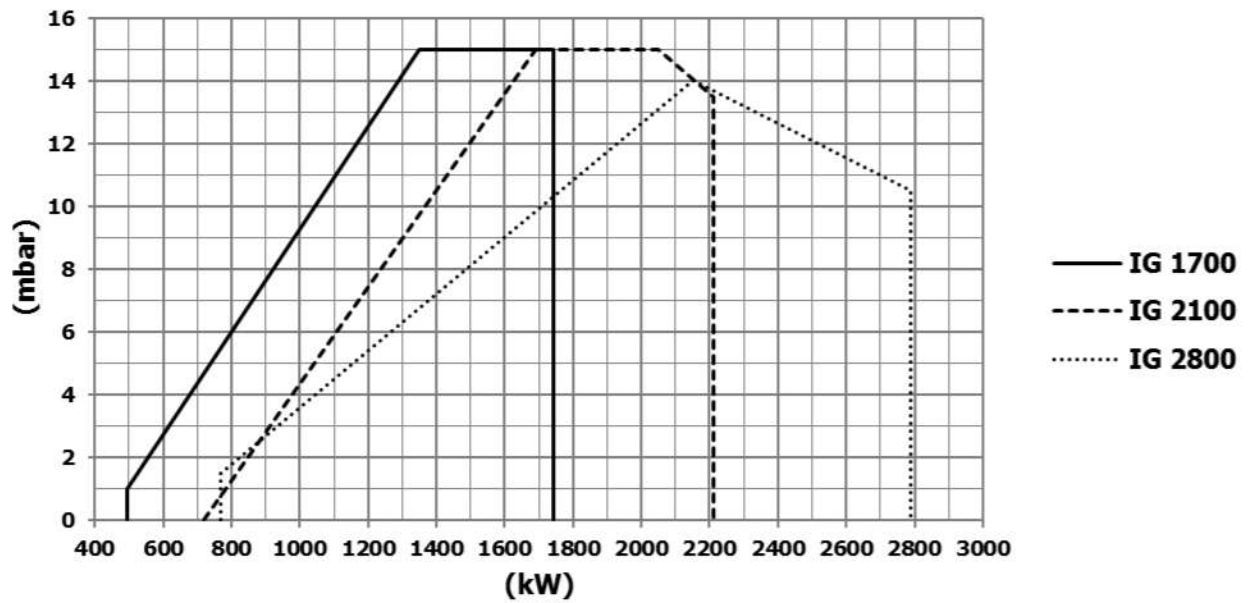
OIL, GAS AND DUAL: UP TO 5M KCAL/H
THIRD WORLDWIDE INDUSTRIAL GROUP
TUV INTERNATIONAL CERTIFICACION

2 YEAR GUARANTY

IG 1700
IG 2100
IG 2800



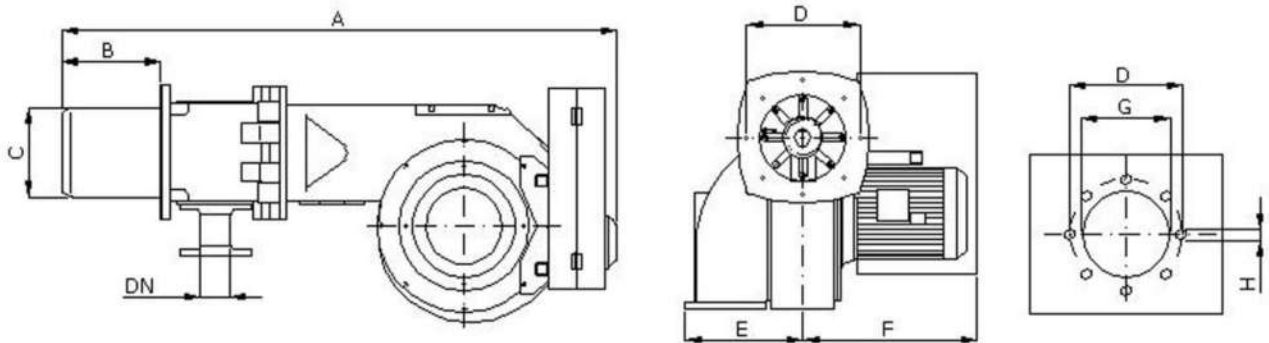
Burner Performance Chart



	Function	Fuel	Gas Pressure mbar	Gas Consumption m ³ n/h	Heating Capacity kW
IG 1700	Two Stage	Natural Gas	60-200	52-183	494-1744
IG 2100	Two Stage	Natural Gas	60-200	76-232	720-2210
IG 2800	Two Stage	Natural Gas	60-200	81-293	767-2790



Burner Dimensions



	A	B	C	D	E	F	G	H	DN
IG 1700	1306	246	219	305	337	520	229	M10	50
IG 2100	1306	246	254	305	337	520	264	M10	50
IG 2800	1306	246	254	305	337	520	264	M10	50

Burner Equipment	IG 1700	IG 2100	IG 2800
Fan Motor	3 ~ 4 kW	3 ~ 5.5 kW	3 ~ 7.5 kW
Servomotor	Conectron LKS 310	Conectron LKS 310	Conectron LKS 310
Control Unit	Satronic TMG 740	Satronic TMG 740	Satronic TMG 740
Ignition Transformer	Brahma TB2S Electronic / 2×12 kV / 35 mA	Brahma T8/G Induction / 2×6.5 kV / 35 mA	Brahma T8/G Induction / 2×6.5 kV / 35 mA
Gas Solenoid Valve (Fast Opening)	Dungs 2"	Dungs 2"	Dungs 2"
Gas Solenoid Valve (Slow Opening)	Dungs 2" 2 Stage	Dungs 2" 2 Stage	Dungs 2" 2 Stage
Gas Pressure Control	Gas pressure switch Dungs or Krom Schroder	Gas pressure switch Dungs or Krom Schroder	Gas pressure switch Dungs or Krom Schroder
Air Pressure Control	Air pressure switch Dungs or Krom Schroder	Air pressure switch Dungs or Krom Schroder	Air pressure switch Dungs or Krom Schroder
Flame Detector	Satronic UVZ 780	Satronic UVZ 780	Satronic UVZ 780
Burner Control Panel	✓ (Connected)	✓ (Connected)	✓ (Connected)



ALL THERM (GIBRALTAR) LTD

HEADQUARTERS :

World Trade Center
6 Bayside Road 1st Floor - Unit 1.02
GX1 1AA Gibraltar
☎ (+350) 200 60207
✉ info@alltherm.group

SALES MANAGER :

Javier *Martinez* Lesmes
C/ López Bravo 7. Naves CAM 45
09001 Burgos
☎ (+34) 639 324 269
✉ j.martinez@alltherm.group

