

BURNERS



ALL THERM

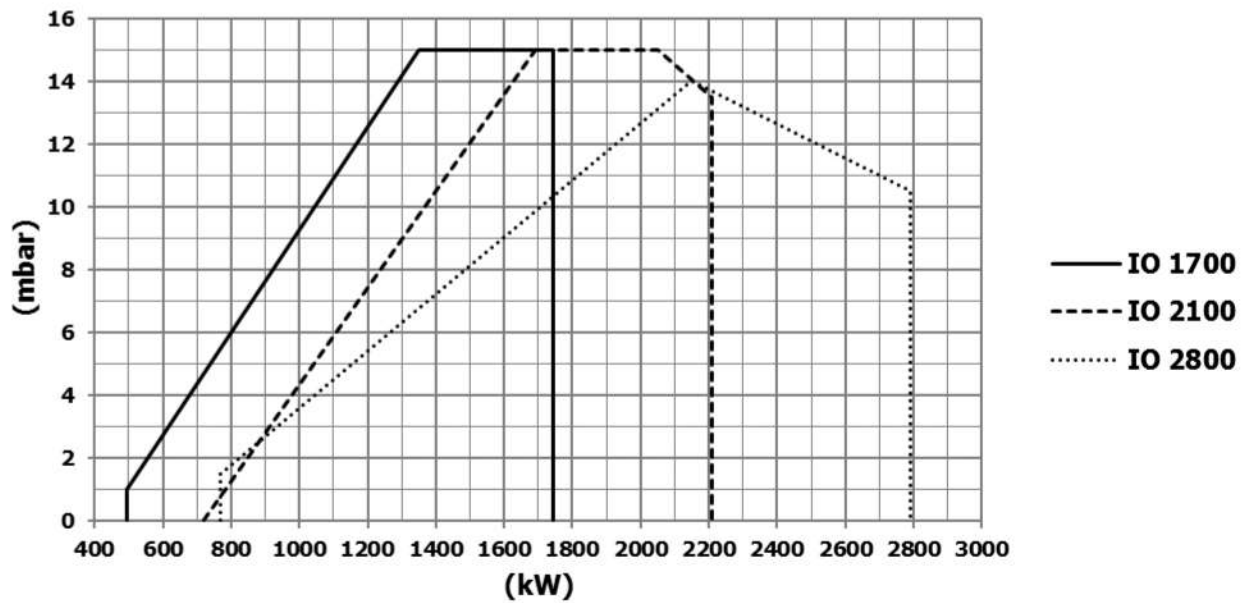
OIL, GAS AND DUAL: UP TO 5M KCAL/H
THIRD WORLDWIDE INDUSTRIAL GROUP
TUV INTERNATIONAL CERTIFICACION

2 YEAR GUARANTY

IO 1700
IO 2100
IO 2800



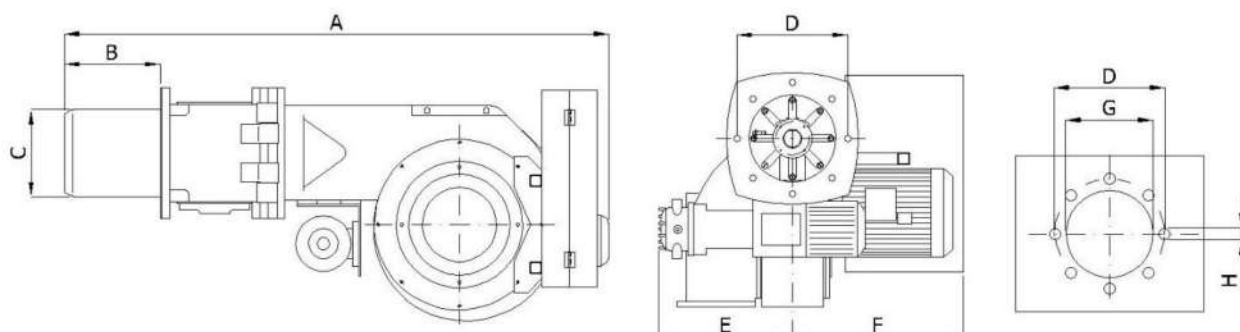
Burner Performance Chart



	Function	Fuel	Oil Consumption kg/h	Heating Capacity kW
IO 1700	Two Stage	Light Oil	42.5-150	494-1744
IO 2100	Two Stage	Light Oil	62-190	720-2210
IO 2800	Two Stage	Light Oil	66-240	767-2790



Burner Dimensions



	A	B	C	D	E	F	G	H
IO 1700	1306	246	219	305	337	520	229	M10
IO 2100	1306	246	254	305	337	520	264	M10
IO 2800	1306	246	254	305	337	520	264	M10

Burner Equipment	IO 1700	IO 2100	IO 2800
Fan Motor	3 ~ 4 kW	3 ~ 5.5 kW	3 ~ 7.5 kW
Oil Pump Motor	3 ~ 1.1 kw	3 ~ 1.5 kW	3 ~ 1.5 kW
Servomotor	Conectron LKS 310	Conectron LKS 310	Conectron LKS 310
Control Unit	Satronic TMO 720	Satronic TMO 720	Satronic TMO 720
Oil Pump	Suntec AJ6AE	Suntec E7NA	Suntec E7NA
Ignition Transformer	Brahma T8/G Induction / 2×6.5 kV / 35 mA	Brahma T8/G Induction / 2×6.5 kV / 35 mA	Brahma T8/G Induction / 2×6.5 kV / 35 mA
Oil Solenoid Valve	Rapa 1/4" (x3)	Rapa 1/4" (x3)	Rapa 1/4" (x3)
Flame Detector	Photo cell	Photo cell	Photo cell
Burner Control Panel	✓ (Connected)	✓ (Connected)	✓ (Connected)



ALL THERM (GIBRALTAR) LTD

HEADQUARTERS :

World Trade Center
6 Bayside Road 1st Floor - Unit 1.02
GX1 1AA Gibraltar
☎ (+350) 200 60207
✉ info@alltherm.group

SALES MANAGER :

Javier *Martinez* Lesmes
C/ López Bravo 7. Naves CAM 45
09001 Burgos
☎ (+34) 639 324 269
✉ j.martinez@alltherm.group

