

# BURNERS



# ALL THERM

OIL, GAS AND DUAL: UP TO 5M KCAL/H  
THIRD WORLDWIDE INDUSTRIAL GROUP  
TUV INTERNATIONAL CERTIFICACION

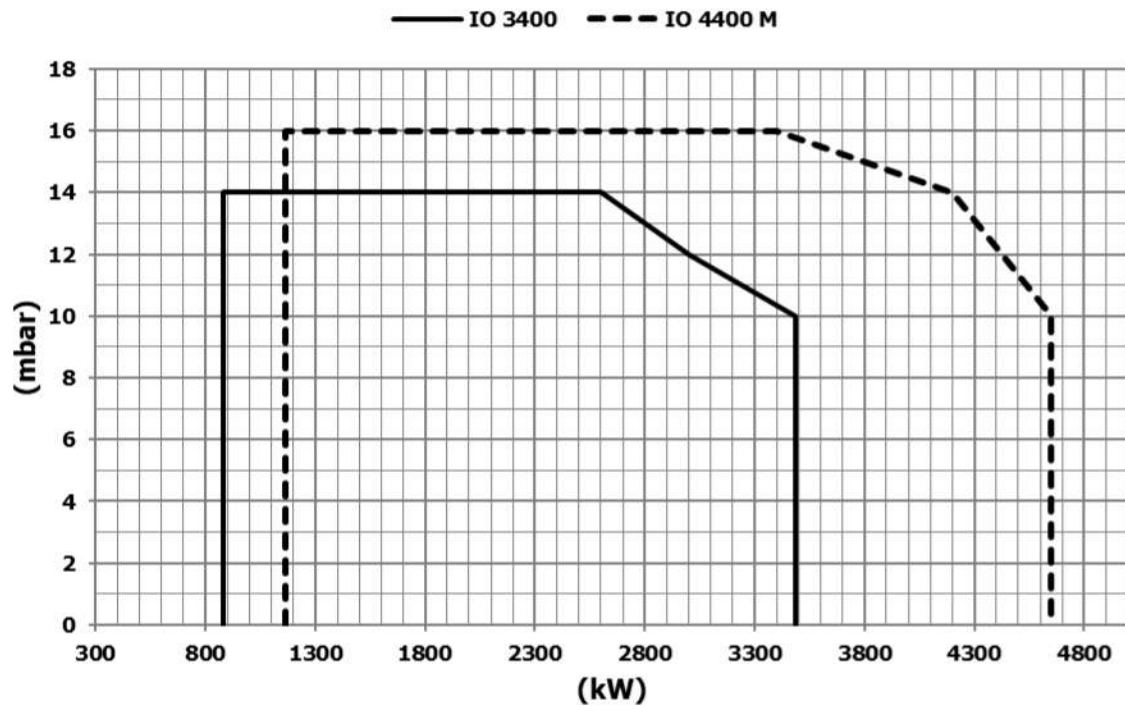
**2 YEAR GUARANTY**

# IO 3400

# IO 4400 M



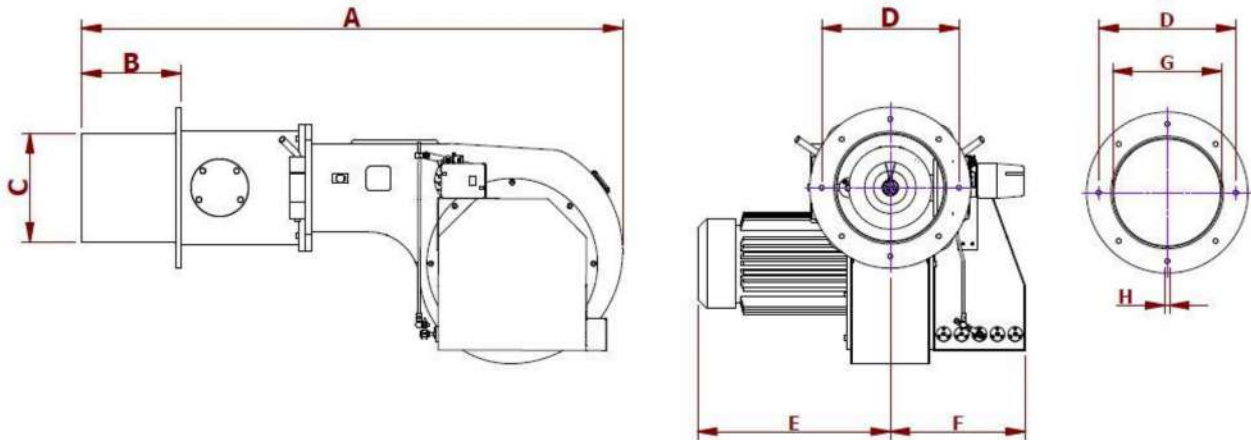
**Burner Performance Chart**



	Function	Fuel	Oil Consumption kg/h	Heating Capacity kW
<b>IO 3400</b>	Three Stage	Light Oil	75.7-300	880-3488
<b>IO 4400 M</b>	Three Stage	Light Oil	100-400	1163-4651



## Burner Dimensions



	A	B	C	D	E	F	G	H
<b>IO 3400</b>	1697	303	311	430	604	484	330	M14
<b>IO 4400 M</b>	1697	303	341	430	604	484	360	M14

Burner Equipment	IO 3400	IO 4400 M
Fan Motor	3 ~ 7.5 kW	3 ~ 11 kW
Oil Pump Motor	3 ~ 1.5 kW	3 ~ 1.5 kW
Servomotor	Conectron LKS 310	Conectron LKS 310
Control Unit	Satronic TMO 720	Satronic TMO 720
Oil Pump	Suntec E7NA	Suntec TA2A
Ignition Transformer	Brahma T8/G Induction / 2×6.5 kV / 35 mA	Brahma T8/G Induction / 2×6.5 kV / 35 mA
Oil Solenoid Valve	Rapa ¼" SV04R2.5 Rapa ¼" BV01L2 (x3)	Rapa ¼" SV04R3 Rapa ¼" BV01L2 (x3)
Flame Detector	Photo cell	Photo cell
Burner Control Panel	✓ (separated)	✓ (separated)



## ALL THERM (GIBRALTAR) LTD

### HEADQUARTERS :

World Trade Center  
6 Bayside Road 1st Floor - Unit 1.02  
GX1 1AA Gibraltar  
☎ (+350) 200 60207  
✉ info@alltherm.group

### SALES MANAGER :

Javier *Martinez* Lesmes  
C/ López Bravo 7. Naves CAM 45  
09001 Burgos  
☎ (+34) 639 324 269  
✉ j.martinez@alltherm.group

