

BURNERS



ALL THERM

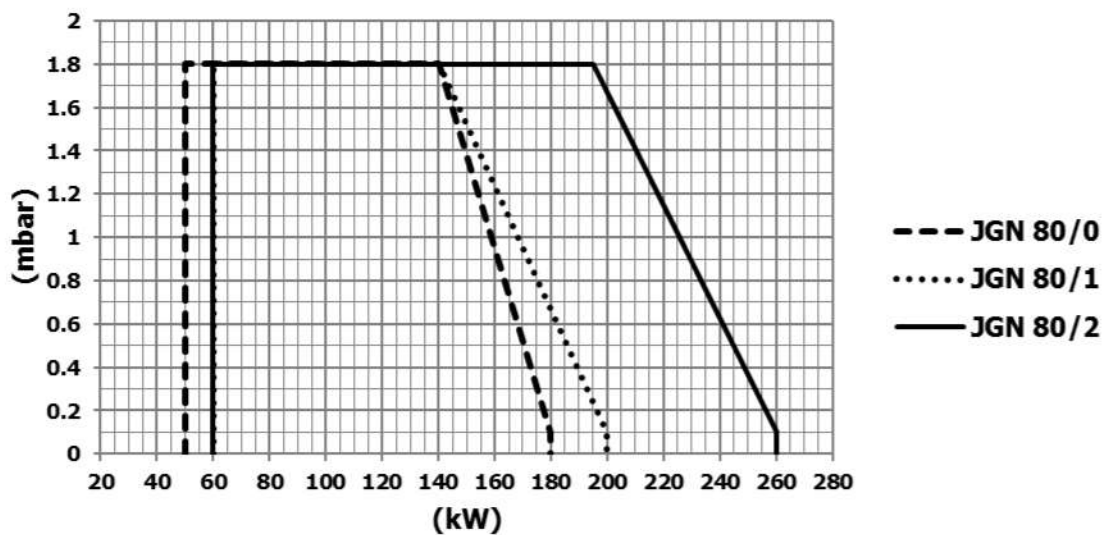
OIL, GAS AND DUAL: UP TO 5M KCAL/H
THIRD WORLDWIDE INDUSTRIAL GROUP
TUV INTERNATIONAL CERTIFICACION

2 YEAR GUARANTY

JGN 80/0
JGN 80/1
JGN 80/2



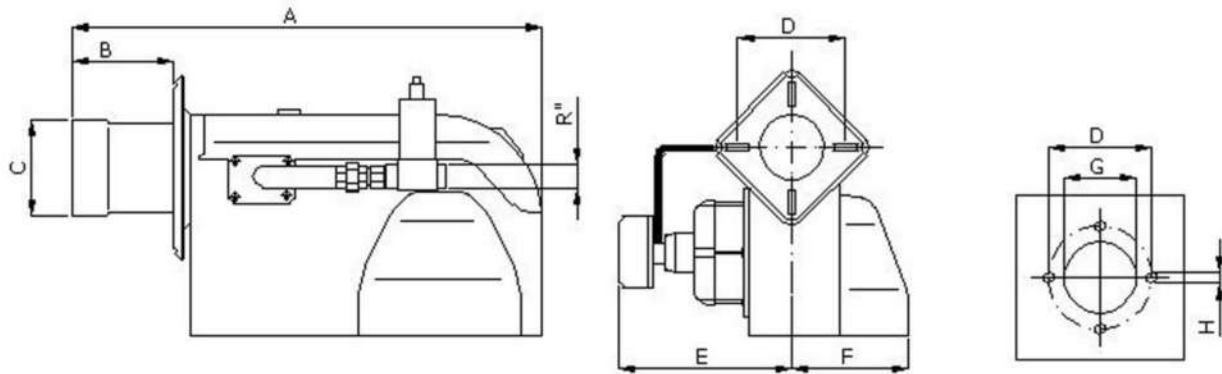
Burner Performance Chart



| | Function | Fuel | Gas Pressure mbar | Gas Consumption m ³ n/h | Heating Capacity kW |
|-----------------|--------------|-------------|-------------------|------------------------------------|---------------------|
| JGN 80/0 | Single Stage | Natural Gas | 15-40 | 5-19 | 50-180 |
| JGN 80/1 | Single Stage | Natural Gas | 15-40 | 6.5-21 | 60-200 |
| JGN 80/2 | Single Stage | Natural Gas | 15-40 | 6.5-27.5 | 60-260 |

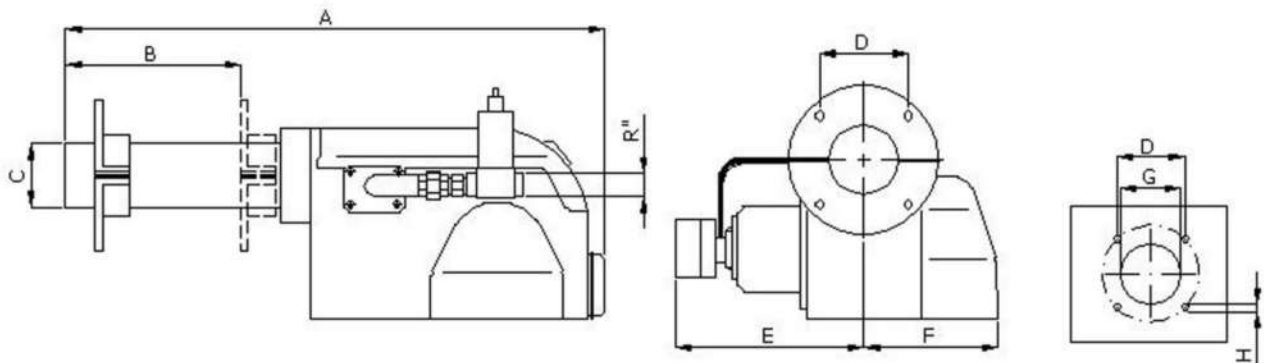


Burner Dimensions (with standard flame tube)



| | A | B | C | D | E | F | G | H | R'' |
|-----------------|-----|-----|-----|-----------|-----|-----|-----|----|-----|
| JGN 80/0 | 552 | 140 | 110 | 173 – 195 | 190 | 295 | 115 | M8 | 1 |
| JGN 80/1 | 552 | 140 | 110 | 173 – 195 | 190 | 295 | 115 | M8 | 1 |
| JGN 80/2 | 552 | 140 | 120 | 173 – 195 | 190 | 295 | 125 | M8 | 1 |

Burner Dimensions (with long flame tube)



| | A | B | C | D | E | F | G | H | R'' |
|-----------------|-----|-----|-----|-----|-----|-----|-----|----|-----|
| JGN 80/2 | 990 | 370 | 122 | 117 | 190 | 295 | 125 | M8 | 1 |

| Burner Equipment | JGN 80/0 | JGN 80/1 | JGN 80/2 |
|-----------------------------------|---|---|---|
| Fan Motor | 1 ~ 240 W | 1 ~ 240 W | 1 ~ 240 W |
| Control Unit | G 790 | G 790 | G 790 |
| Ignition Transformer | Electronic/2x7 kV /35 mA | Electronic/2x7 kV /35 mA | Electronic/2x7 kV /35 mA |
| Gas Solenoid Valve (Slow Opening) | Dungs or Krom Schroder 1" | Dungs or Krom Schroder 1" | Dungs or Krom Schroder 1" |
| Gas Pressure Control | Gas pressure switch Dungs or Krom Schroder | Gas pressure switch Dungs or Krom Schroder | Gas pressure switch Dungs or Krom Schroder |
| Air Pressure Control | Air pressure switch Dungs or Krom Schroder | Air pressure switch Dungs or Krom Schroder | Air pressure switch Dungs or Krom Schroder |
| Flame Detector | Ionizing electrode | Ionizing electrode | Ionizing electrode |



ALL THERM (GIBRALTAR) LTD

HEADQUARTERS :

World Trade Center
6 Bayside Road 1st Floor - Unit 1.02
GX1 1AA Gibraltar
☎ (+350) 200 60207
✉ info@alltherm.group

SALES MANAGER :

Javier *Martinez* Lesmes
C/ López Bravo 7. Naves CAM 45
09001 Burgos
☎ (+34) 639 324 269
✉ j.martinez@alltherm.group

