

# BURNERS



# ALL THERM

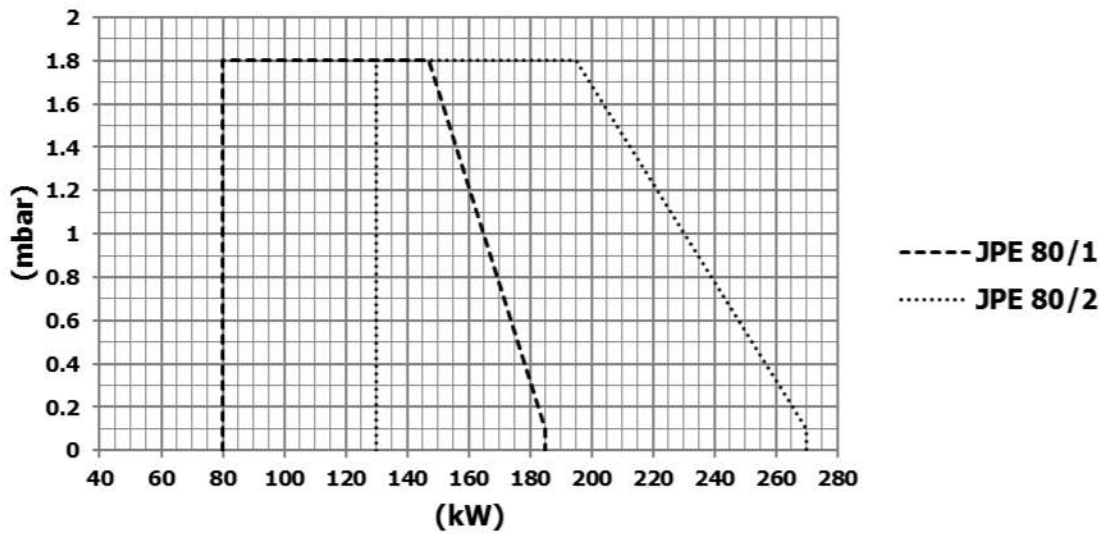
OIL, GAS AND DUAL: UP TO 5M KCAL/H  
THIRD WORLDWIDE INDUSTRIAL GROUP  
TUV INTERNATIONAL CERTIFICACION

**2 YEAR GUARANTY**

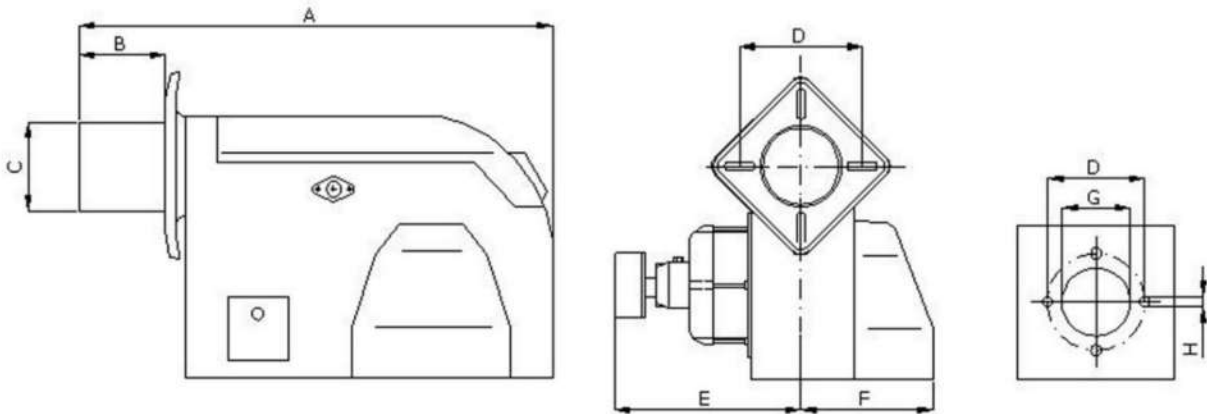
# JPE 80/1 JPE 80/2



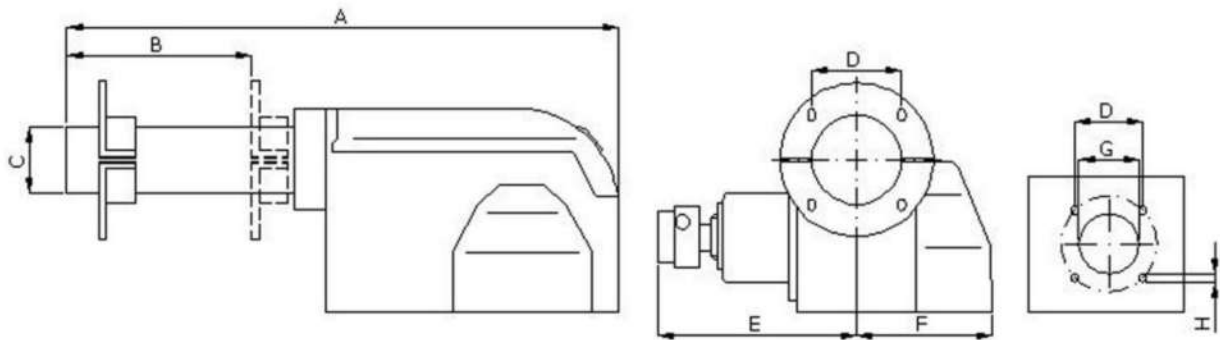
**Burner Performance Chart**



	Function	Fuel	Oil Consumption kg/h	Heating Capacity kW
<b>JPE 80/1</b>	Single Stage	Light Oil	7-16	80-185
<b>JPE 80/2</b>	Single Stage	Light Oil	11.2-23.2	130-270

**Burner Dimensions (with standard flame tube)**


	A	B	C	D	E	F	G	H
<b>JPE 80/1</b>	600	178	110	173 – 195	240	145	115	M8
<b>JPE 80/2</b>	600	178	115	173 – 195	240	145	120	M8

**Burner Dimensions (with long flame tube)**


	A	B	C	D	E	F	G	H
<b>JPE 80/2</b>	990	370	122	117	240	145	125	M8

<b>Burner Equipment</b>	<b>JPE 80/1</b>	<b>JPE 80/2</b>
Fan Motor	1 ~ 240 W	1 ~ 240 W
Control Unit	TF 701	TF 701
Oil Pump	Suntec AS47C	Suntec AS47C
Ignition Transformer	Electronic / 2x7 kV / 35 mA	Electronic / 2x7 kV / 35 mA
Oil Solenoid Valve	1/8" (With pump)	1/8" (With pump)
Flame Detector	Photo cell	Photo cell



## ALL THERM (GIBRALTAR) LTD

### HEADQUARTERS :

World Trade Center  
6 Bayside Road 1st Floor - Unit 1.02  
GX1 1AA Gibraltar  
☎ (+350) 200 60207  
✉ info@alltherm.group

### SALES MANAGER :

Javier *Martinez* Lesmes  
C/ López Bravo 7. Naves CAM 45  
09001 Burgos  
☎ (+34) 639 324 269  
✉ j.martinez@alltherm.group

