

BURNERS



ALL THERM

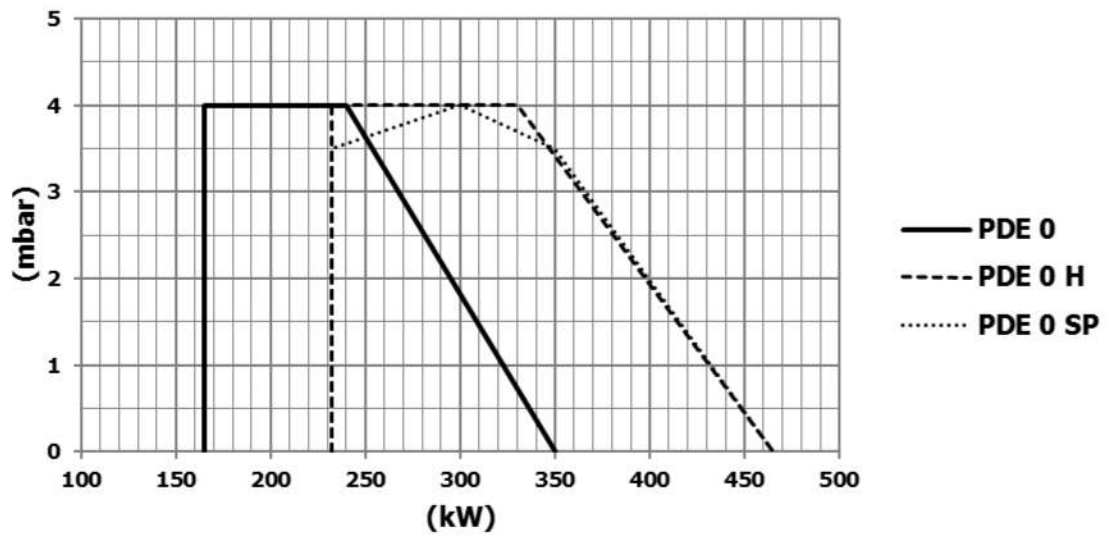
OIL, GAS AND DUAL: UP TO 5M KCAL/H
THIRD WORLDWIDE INDUSTRIAL GROUP
TUV INTERNATIONAL CERTIFICACION

2 YEAR GUARANTY

PDE 0
PDE 0 H
PDE 0 SP



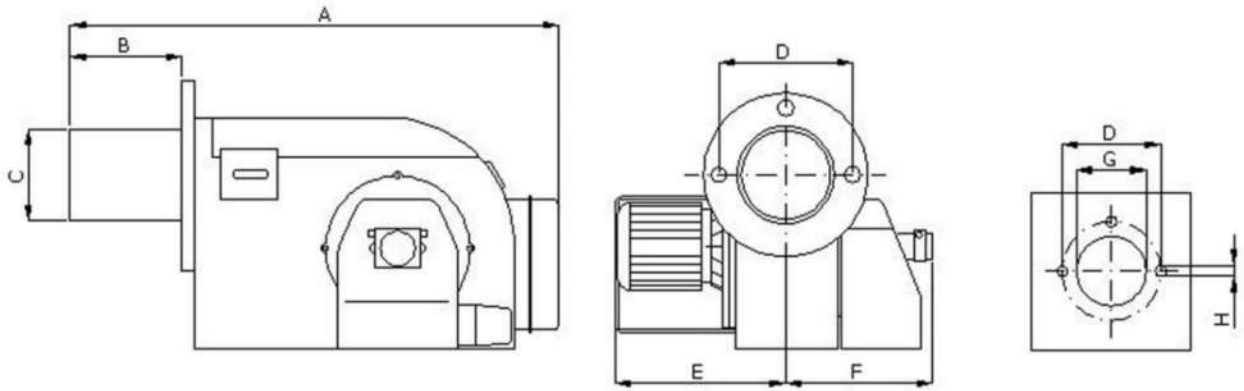
Burner Performance Chart



	Function	Fuel	Oil Consumption kg/h	Heating Capacity kW
PDE 0	Single Stage	Light Oil	14-30	165-350
PDE 0 H	Single Stage	Light Oil	20-40	232-465
PDE 0 SP	Two Stage	Light Oil	20-40	232-465

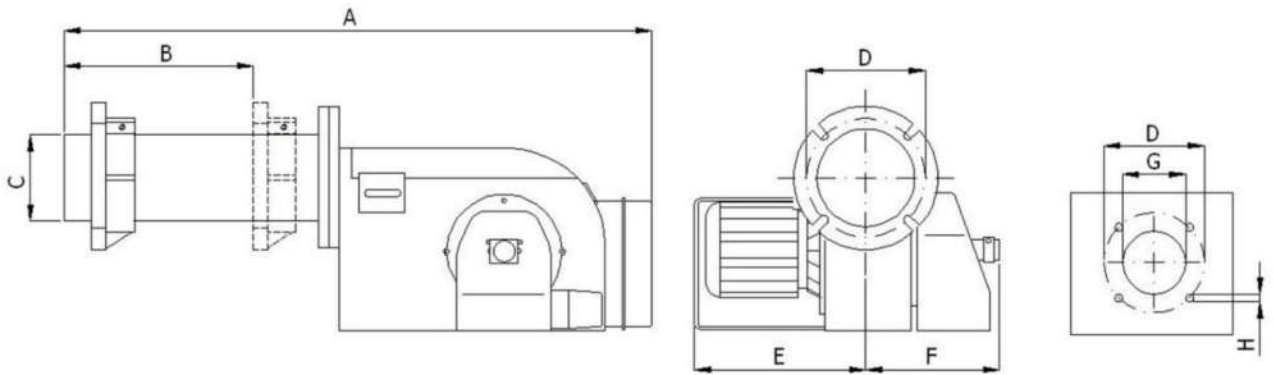


Burner Dimensions (with standard flame tube)



	A	B	C	D	E	F	G	H
PDE 0	700	170	153	175	280	283	156	M10
PDE 0 H	700	170	153	175	280	283	156	M10
PDE 0 SP	700	170	153	175	280	283	156	M10

Burner Dimensions (with long flame tube)



	A	B	C	D	E	F	G	H
PDE 0	880	380	165	205-225	335	283	170	M12
PDE 0 H	880	380	165	205-225	335	283	170	M12
PDE 0 SP	880	380	165	205-225	335	283	170	M12

Burner Equipment	PDE 0	PDE 0 H	PDE 0 SP
Fan Motor	1 ~ 550 W	1 ~ 550 W	1 ~ 550 W
Servomotor	-	-	Conectron LKS 160
Control Unit	TF 701	TF 701	TF 701
Oil Pump	Suntec AN57A	Suntec AN57A	Suntec AN57A
Ignition Transformer	Electronic / 2x7 kV / 35 mA	Electronic / 2x7 kV / 35 mA	Electronic / 2x7 kV / 35 mA
Oil Solenoid Valve	Rapa 1/8"	Rapa 1/8" (x4)	Rapa 1/8" (x2)
Flame Detector	Photo cell	Photo cell	Photo cell



ALL THERM (GIBRALTAR) LTD

HEADQUARTERS :

World Trade Center
6 Bayside Road 1st Floor - Unit 1.02
GX1 1AA Gibraltar
☎ (+350) 200 60207
✉ info@alltherm.group

SALES MANAGER :

Javier *Martinez* Lesmes
C/ López Bravo 7. Naves CAM 45
09001 Burgos
☎ (+34) 639 324 269
✉ j.martinez@alltherm.group

