

# BURNERS



# ALL THERM

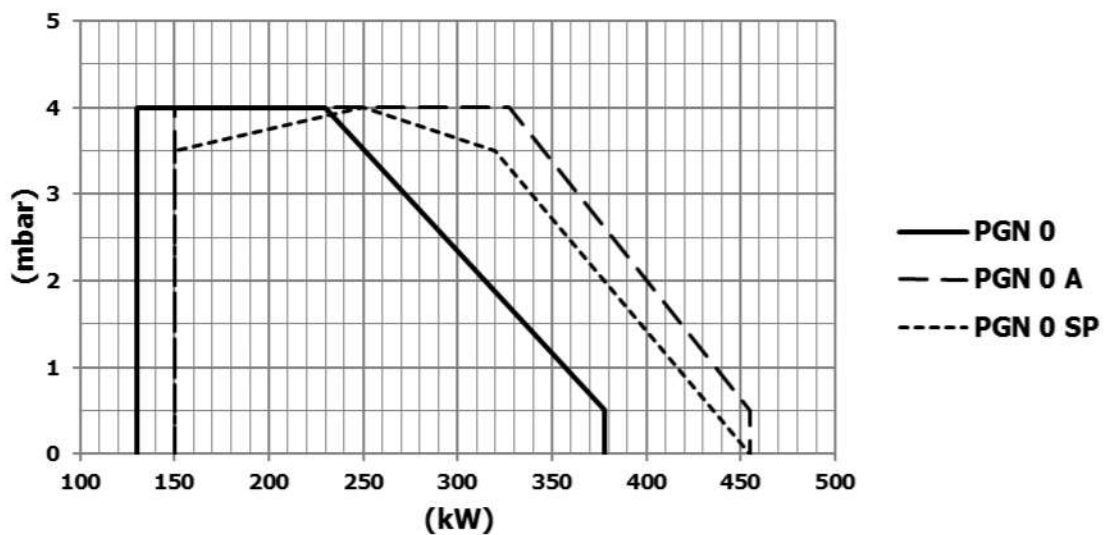
OIL, GAS AND DUAL: UP TO 5M KCAL/H  
THIRD WORLDWIDE INDUSTRIAL GROUP  
TUV INTERNATIONAL CERTIFICACION

**2 YEAR GUARANTY**

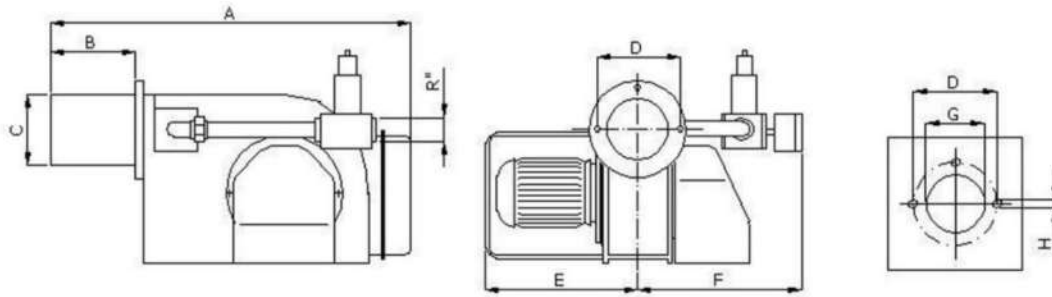
**PGN 0**  
**PGN 0 A**  
**PGN 0 SP**



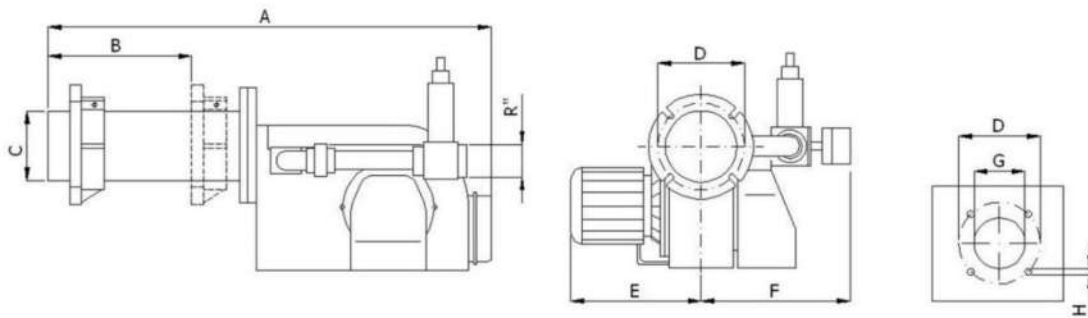
**Burner Performance Chart**



	Function	Fuel	Gas Pressure mbar	Gas Consumption m <sup>3</sup> n/h	Heating Capacity kW
<b>PGN 0</b>	Single Stage	Natural Gas	10-40	13.4-39.7	130-378
<b>PGN 0 A</b>	Single Stage	Natural Gas	10-40	15.8-48.1	150-455
<b>PGN 0 SP</b>	Two Stage	Natural Gas	10-40	15.8-48.1	150-455

**Burner Dimensions (with standard flame tube)**


	A	B	C	D	E	F	G	H	R''
<b>PGN 0</b>	700	170	153	175	280	305	156	M10	1
<b>PGN 0 A</b>	700	170	153	175	280	345	156	M10	1 ½
<b>PGN 0 SP</b>	700	170	153	175	280	415	156	M10	1 ½

**Burner Dimensions (with long flame tube)**


	A	B	C	D	E	F	G	H	R''
<b>PGN 0</b>	880	380	165	205-225	335	305	170	M12	1
<b>PGN 0 A</b>	880	380	165	205-225	335	345	170	M12	1 ½
<b>PGN 0 SP</b>	880	380	165	205-225	335	415	170	M12	1 ½

<b>Burner Equipment</b>	<b>PGN 0</b>	<b>PGN 0 A</b>	<b>PGN 0 SP</b>
Fan Motor	1 ~ 370 W	1 ~ 370 W	1 ~ 550 W
Servomotor	-	-	Conectron LKS 160
Control Unit	G 790	G 790	G 790
Ignition Transformer	Electronic/2x7 kV /35 mA	Electronic/2x7 kV /35 mA	Electronic/2x7 kV /35 mA
Gas Solenoid Valve (Slow Opening)	Dungs or Krom Schroder 1"	Dungs or Krom Schroder 1 ½"	Dungs or Krom Schroder 1 ½"
Gas Pressure Control	Gas pressure switch Dungs or Krom Schroder	Gas pressure switch Dungs or Krom Schroder	Gas pressure switch Dungs or Krom Schroder
Air Pressure Control	Air pressure switch Dungs or Krom Schroder	Air pressure switch Dungs or Krom Schroder	Air pressure switch Dungs or Krom Schroder
Flame Detector	Ionizing electrode	Ionizing electrode	Ionizing electrode



## ALL THERM (GIBRALTAR) LTD

### HEADQUARTERS :

World Trade Center  
6 Bayside Road 1st Floor - Unit 1.02  
GX1 1AA Gibraltar  
☎ (+350) 200 60207  
✉ info@alltherm.group

### SALES MANAGER :

Javier *Martinez* Lesmes  
C/ López Bravo 7. Naves CAM 45  
09001 Burgos  
☎ (+34) 639 324 269  
✉ j.martinez@alltherm.group

